



Wenzhou Xinlei Machinery Co., Ltd

Add:No. 1555 Huaming Road, Feiyun Street, Ruian City, Wenzhou City,
Zhejiang Province, China

Tel: +86-13566213908 Email: xinlei02@xyymachine.com Website: <https://www.wzxlachinery.com/>

型号: XL-FD350/450

全自动高速方底纸袋机

Automatic High Speed Square Bottom Bag Machine

机器图片 Machine Pictures:



样品图片 Sample Pictures:





Wenzhou Xinlei Machinery Co., Ltd

Add: No. 1555 Huaming Road, Feiyun Street, Ruian City, Wenzhou City,
Zhejiang Province, China

Tel: +86-13566213908 Email: xinlei02@xyymachine.com Website: <https://www.wzxlmachinery.com/>

性能与用途 Performance and Use:

本机用于卷筒原色纸或印刷卷筒纸如牛皮纸。食品纸等纸卷由本机一次完成纸袋工艺。由自动中锋上胶、原料成筒、定长切断、底部压痕、底部折底。底部上胶、袋底成形。成品袋整理一次完成。本机操作更方便，更高效，更稳定，是生产各种不同纸质袋、休闲食品袋、面包袋、干果袋等等环保纸袋机设备。

This machine is used for roll primary color paper or printing roll paper such as craft paper. Paper rolls such as food paper are completed by this machine at one time. Automatic center gluing, raw material into tube, cut to length, bottom indentation, bottom folding. Glue on the bottom and shape the bottom of the bag. Finished bag finishing is completed at one time. This machine is more convenient to operate, more efficient and more stable. It is an environmentally friendly paper bag machine equipment that produces various paper bags, snack food bags, bread bags, dried fruit bags, etc.

主要特点 Main Feature:

1. 采用威纶触摸屏人机界面，操作功能一目了然。便于掌控。
 2. 采用日本原装三菱运动控制器(PC),通过与光纤一体化。保证高速运行稳定。
 3. 采用日本三菱伺服电机搭配德国施克色标电眼修正。精确跟踪印刷袋尺寸。
 4. 原料装卸采用液压升降结构，放卷采用全自动恒张力控制。
 5. 原料纠偏采用无刷伺服电机，降低纸卷对位调整时间。
1. Using Weinview touch screen man-machine interface, the operation function is clear at a glance. Easy to control.
 2. Adopt original Japanese Mitsubishi motion controller (PC), integrated with optical fiber. Ensure stable high-speed operation.
 3. Use Japanese Mitsubishi private server motor with German original SICK photoelectric eye correction. Accurately track the printed bag size.
 4. The material loading and unloading adopts hydraulic lifting structure, and the unwinding adopts automatic constant tension control.
 5. The raw material is rectified by non-brush servo motor, which reduces the time for roll registration adjustment.



Wenzhou Xinlei Machinery Co., Ltd

Add: No. 1555 Huaming Road, Feiyun Street, Ruian City, Wenzhou City,
Zhejiang Province, China

Tel: +86-13566213908 Email: xinlei02@xyymachine.com Website: <https://www.wzxlachinery.com/>

技术参数 Technical Parameters:

机器型号 Model	XL-FD350
切袋长度 Cutting Length	270-530mm
纸袋宽度 Paper Bag Width	120-350mm
袋底宽度 Bottom Width	60-180mm
纸袋厚度 Paper Bag Thickness	60-150g/m ²
机械速度 Mechanical Speed	30-220pcs/min
纸袋速度 Paper Bag Speed	30-180pcs/min
纸卷宽度 Paper Roll Width	380-1050mm
纸料直径 Paper Diameter	1300mm
纸料内径 Inner Diameter of Paper	76mm
整机功率 Total Power	380V 3phase 4line 15kw
整机重量 Total Weight	8500kg
整机尺寸 Overall Size	10000*3700*2200mm

机器型号 Model	XL-FD450
切袋长度 Cutting Length	270-530mm
纸袋宽度 Paper Bag Width	210-450mm
袋底宽度 Bottom Width	90-180mm
纸袋厚度 Paper Bag Thickness	80-150g/m ²
机械速度 Mechanical Speed	30-220pcs/min
纸袋速度 Paper Bag Speed	30-150pcs/min
纸卷宽度 Paper Roll Width	660-1290mm
纸料直径 Paper Diameter	1300mm
纸料内径 Inner Diameter of Paper	76mm
整机功率 Total Power	380V 3phase 4line 15kw
整机重量 Total Weight	9000kg
整机尺寸 Overall Size	10000*3800*2200mm

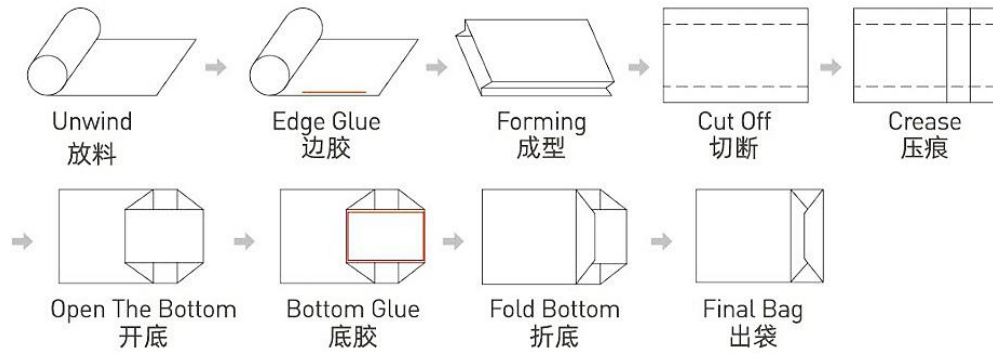


Wenzhou Xinlei Machinery Co., Ltd

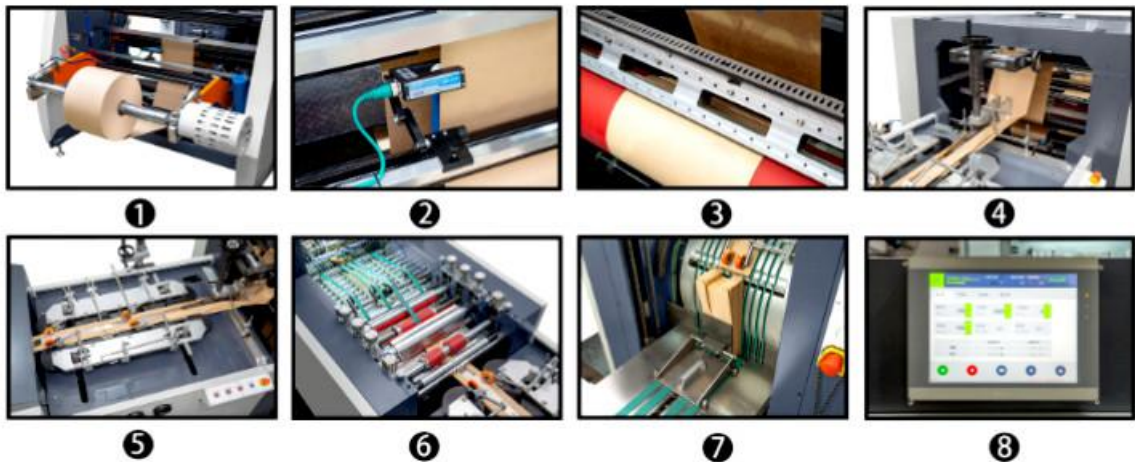
Add:No. 1555 Huaming Road, Feiyun Street, Ruian City, Wenzhou City,
Zhejiang Province, China

Tel: +86-13566213908 Email: xinlei02@xyymachine.com Website:https://www.wzxlmachinery.com/

流程图 Flow Chart:



机器细节展示 Machine Details:



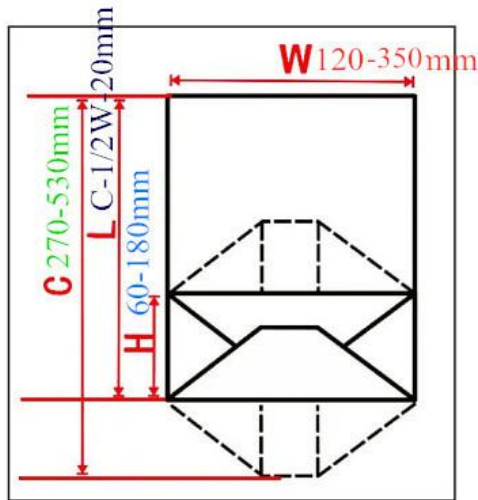


Wenzhou Xinlei Machinery Co., Ltd

Add: No. 1555 Huaming Road, Feiyun Street, Ruian City, Wenzhou City,
Zhejiang Province, China

Tel: +86-13566213908 Email: xinlei02@xyymachine.com Website: <https://www.wzxlmachinery.com/>

袋子尺寸 Bag Size:



型号 350 Model 350

宽度: 纸袋宽度

W: Paper Bag Width 120-350mm

高度: 纸袋底部

H: Paper Bag Bottom 60-180mm

切袋长度

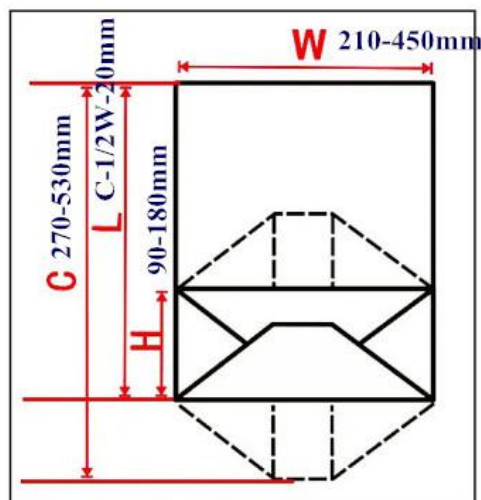
C: Cutting Length 270-530mm

长度: 取决于纸袋底部

L: According to the Paper Bag Bottom

(袋长=切袋长度-1/2 袋底-20mm)

(Bag Length= Cutting Length-1/2 Bag Bottom-20mm)



型号 450 Model 450

宽度: 纸袋宽度

W: Paper Bag Width 210-450mm

高度: 纸袋底部

H: Paper Bag Bottom 90-180mm

切袋长度

C: Cutting Length 270-530mm

长度: 取决于纸袋底部

L: According to the Paper Bag Bottom

(袋长=切袋长度-1/2 袋底-20mm)

(Bag Length= Cutting Length-1/2 Bag Bottom-20mm)



Wenzhou Xinlei Machinery Co., Ltd

Add: No. 1555 Huaming Road, Feiyun Street, Ruian City, Wenzhou City,
Zhejiang Province, China

Tel: +86-13566213908 Email: xinlei02@xyymachine.com Website: <https://www.wzxlmachinery.com/>

主要电气 Main Electricity:

控制系统 Control System			
名称 Name	数量 Qty	产地/ Original	品牌 Brand
CPU 编程控制器 CPU Program Controller	1	日本 Japan	三菱 Mitsubishi
人机界面触摸屏 Human-computer touch screen interface	1	中国 China	繁易 Flexem
印刷跟踪光电眼 Photoelectric eye for printed-bag tracking	2	德国 Germany	西客 Sick
低压电器 Low voltage electrical apparatus	4	法国 French	施耐德 Schneider
光电传感器 Photoelectric sensor	10	日本 Japan	松下 Panasonic
气动元件 Pneumatic component	18	中国台湾 Taiwan	亚德客 Airtag
自动润滑油 Auto lubricating	1	中国 China	
配电柜带自动恒温空调柜 Air conditioner for electric control box	1	中国 China	
电源滤波器 Main power filter	1	中国 China	
电机变频器 Motor frequency converter	2	瑞士 Switzerland	ABB
伺服驱动器 Servo Motor	7	日本 Japan	三菱 Mitsubishi



Wenzhou Xinlei Machinery Co., Ltd

Add: No. 1555 Huaming Road, Feiyun Street, Ruian City, Wenzhou City,
Zhejiang Province, China

Tel: +86-13566213908 Email: xinlei02@xyymachine.com Website: <https://www.wzxlachinery.com/>

伺服电源 Servo Power	7	日本 Japan	三菱 Mitsubishi
主机伺服 Main servo	1	日本 Japan	三菱 Mitsubishi
牵引伺服 Traction servo	1	日本 Japan	三菱 Mitsubishi
收袋三相异步电机 bag collecting 3 phrase asynchronous motor	1	中国 China	
放卷 纠偏、张力控制系统 Deviation Correction and Tension Control System			
名 称 Name	数 量 QTY	产 地 Original	品 牌 Brand
纠偏控制器 EPC controller	3	中国 CHINA	恩瑞斯 Emreis
伺服纠偏电机 Servo motor for EPC	3	中国 CHINA	恩瑞斯 Emreis
超声波感应器 Ultrasonic sensor	3	中国 CHINA	恩瑞斯 Emreis
磁粉制动器 Magnetic powder brake	3	中国 CHINA	中倍 zhongbei
磁粉自动张力系统 Automatic Tension System of Magnetic Powder	3	中国 CHINA	中倍 zhongbei
自动液压上料电机 Automatic Hydraulic Feeding Motor	1	中国 CHINA	顶铭 dingming
上料液压油缸 Feeding hydraulic cylinder	2	中国 CHINA	顶铭 dingming
传动 Transmission			



Wenzhou Xinlei Machinery Co., Ltd

Add: No. 1555 Huaming Road, Feiyun Street, Ruian City, Wenzhou City,
Zhejiang Province, China

Tel: +86-13566213908 Email: xinlei02@xyymachine.com Website: <https://www.wzxlmachinery.com/>

名称 Name	数量 Qty	产地 Original	品牌 Brand
同步带 Synchronous belt	10	中国 China	巨隆 julong
同步轮 Synchronous wheel	13	中国 China	巨隆 julong
轴承 Bearing	489	日本	NSK
导辊 Guide roller	29	中国 China	BAIXIAO
齿轮 Gear	76	中国 China	
胶水部位 Glue Position			
名称 Name	数量 Qty	产地 Original	品牌 Brand
底部胶 (糊底白乳胶) Bottom glue (bottom-sealing white latex)	2	中国 China	
底部匀胶电机 Motor for bottom glue evening	1	中国 China	
自动气动灌胶阀 Pneumatic auto glue filling valve	1	中国 China	
边胶 Side glue	1	中国 China	
底胶胶位检测 Glue Glue Position Detection	1	中国 China	
中锋水性喷胶枪 Spraying gun for center sealing (dense adjust Glue gun)	1	中国 China	
水性白乳胶高压喷胶桶 High-pressure glue barrel for white latex	1	中国 China	